

# CITY OF BRIGHTON

## BROMLEY LANE MASTER PLAN DESIGN

### INDEX OF SHEETS

SHEET NO.

- 1 TYPICAL CROSS SECTIONS
- 2 PROPOSED HORIZONTAL ALIGNMENT - INTERIM PHASE
- 3 PROPOSED HORIZONTAL ALIGNMENT - FINAL
- 4 PROPOSED HORIZONTAL ALIGNMENT - FINAL
- 5 PROPOSED HORIZONTAL ALIGNMENT - FINAL
- 6 PROPOSED HORIZONTAL ALIGNMENT - FINAL
- 7 PROPOSED HORIZONTAL ALIGNMENT - FINAL
- 8 PROPOSED HORIZONTAL ALIGNMENT - FINAL

### LIMITS

- US 85
- PLATTE RIVER BOULEVARD TO US 85
- US 85 TO FULTON STREET
- FULTON STREET TO 4TH AVENUE
- PALIZZI MARKETPLACE TO 8TH AVENUE
- 9TH AVENUE TO 13TH AVENUE
- 13TH AVENUE TO 15TH AVENUE

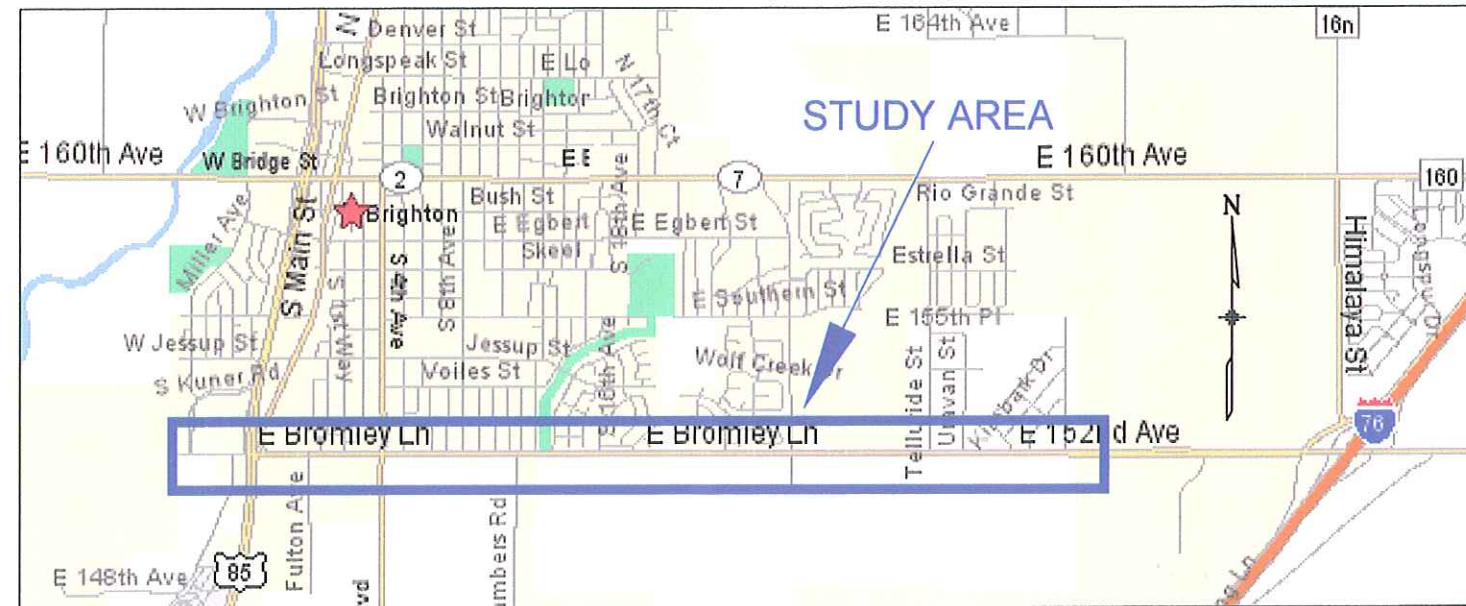
### INDEX OF SHEETS

SHEET NO.

- 9 PROPOSED HORIZONTAL ALIGNMENT - FINAL
- 10 PROPOSED HORIZONTAL ALIGNMENT - FINAL
- 11 PROPOSED HORIZONTAL ALIGNMENT - FINAL
- 12 PROPOSED HORIZONTAL ALIGNMENT - FINAL
- 13 PROPOSED HORIZONTAL ALIGNMENT - FINAL
- 14 PROPOSED HORIZONTAL ALIGNMENT - FINAL
- 15 PROPOSED HORIZONTAL ALIGNMENT - FINAL

### LIMITS

- 17TH AVENUE TO THE FULTON DITCH
- BROMLEY CREEK PARK TO EAST OF 22ND AVENUE
- 27TH AVENUE TO THE COMMERCIAL ACCESS
- 34TH AVENUE
- TELLURIDE STREET TO URAVAN STREET
- URAVAN STREET TO PLESS DRIVE
- TOWER ROAD TO THE END OF THE PROJECT

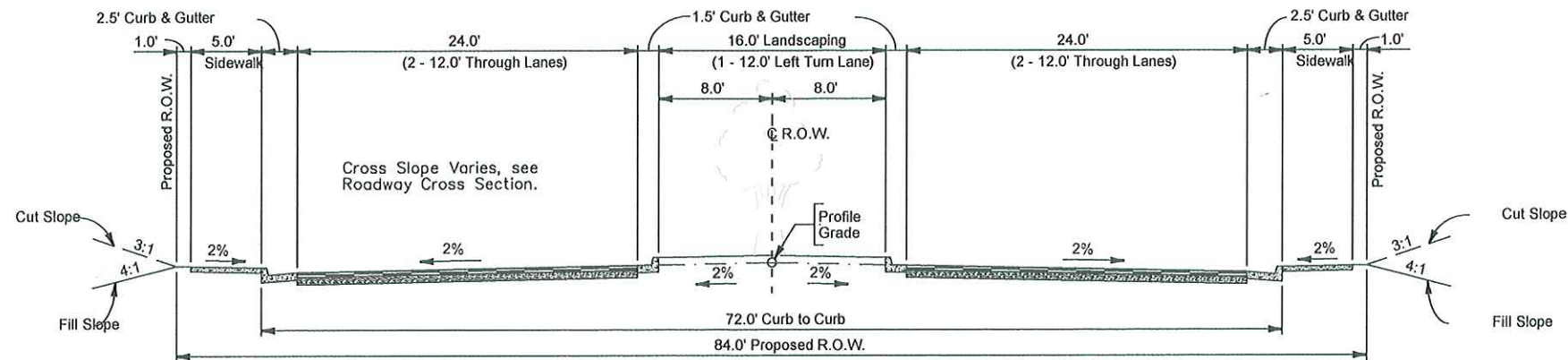


LOCATION MAP

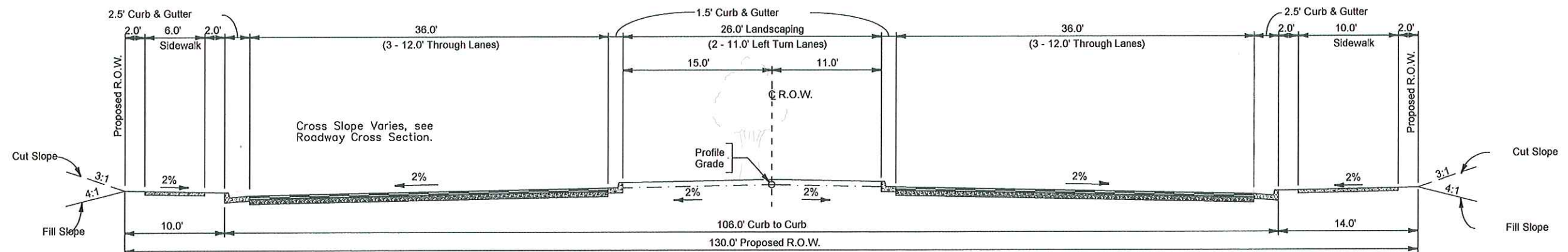


BROMLEY LANE MASTER PLAN DESIGN  
COVER SHEET

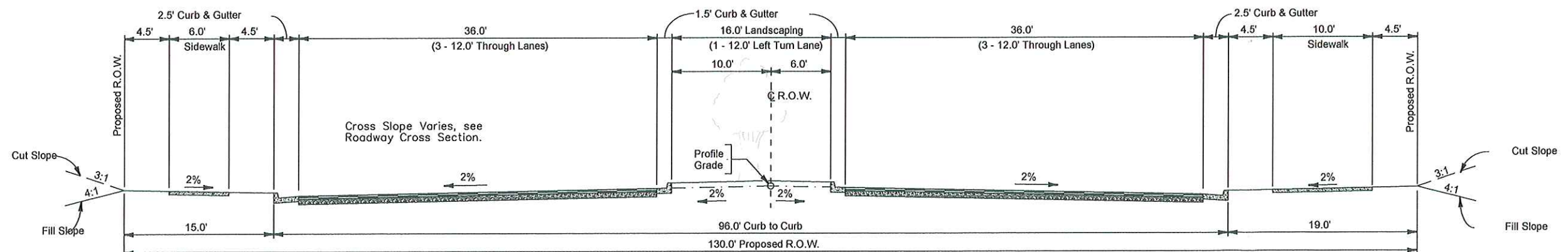
Scale	NTS	Date	4/30/04	Drawn by	RAC	Job #	ABRIGC0303	Figure
-------	-----	------	---------	----------	-----	-------	------------	--------



**COMMERCIAL COLLECTOR SECTION**  
(Looking East) (West of US 85)



**MAJOR ARTERIAL SECTION - DOUBLE LEFT TURN LANE**  
(Looking East) (East of US 85)



**MAJOR ARTERIAL SECTION - SINGLE LEFT TURN LANE**  
(Looking East) (East of US 85)